

KNX Bus Power Supply

Manual-Ver2.1

MP6401

Catalog

1 Overview	1
2 Detailed parameters	1
3 Dimensional drawings and wiring diagrams.....	2
4 Product Operating Instructions	2
5 Power running test.....	3
6 Safe use and maintenance.....	3
7 Contact	3

1 Overview

The EIB / KNX bus power supply is used to provide and monitor the voltage of the EIB / KNX system. The output has two terminals, including one KNX bus output for EIB bus power supply and signal transmission. One 30V DC auxiliary output and provides a power supply voltage of 30V DC, 500mA which can be sent to the terminal; the reactor has been integrated into the bus connection terminal; if a reactor is connected to the 30V DC auxiliary power supply terminal, it can also be used as a bus power supply terminal and also has a signal transmission function.

In order to facilitate installation into the distribution box, the KNX bus power supply is designed as a modular installation device that can be mounted on a 35 mm DIN rail. The equipment adopts screw terminals to realize 220V voltage input and auxiliary power output connection. The EIB bus connection is directly connected through the EIB terminal (red / black).

The power can be reset by pressing the reset button on the device for 24s.

Functions:

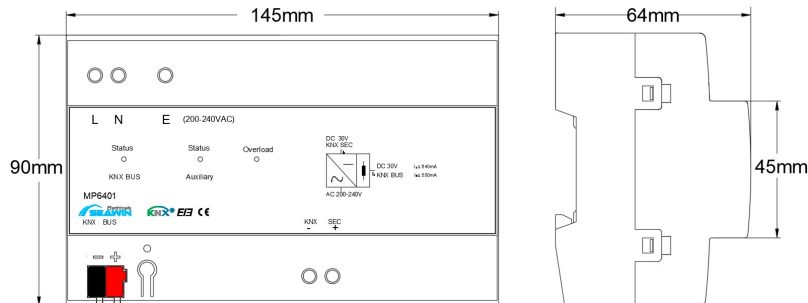
- (1) Meet the power supply of KNX / EIB bus equipment;
- (2) The yellow-green status LED indicates the current auxiliary power supply status. When the auxiliary output status LED is constantly on, it indicates that the auxiliary power supply is normal. When the status LED flashes, it indicates that any of the auxiliary power supply is overloaded.
- (3) The red LED is always on to indicate that the KNX bus output exceeds the rated current of 640mA. When the KNX bus output current exceeds 900mA, the bus output is automatically cut off and the red LED flashes. Press the reset button to restore.

2 Detailed parameters

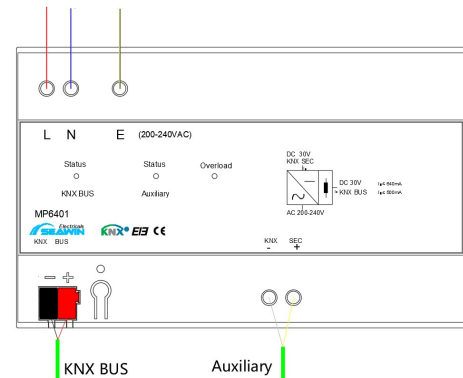
Main input	200-240V AC
KNX Bus output	1 way with reactor, 21-30V DC
Auxiliary power output	1 way without reactor, 30V DC/500mA
Bus powered output current	Max.640mA, Short circuit protection
Auxiliary power supply output current	Max.500mA
Continuous short-circuit current	≤1.3A
Power-down hold time	> 200ms
Frequency	50-60Hz
Shell material	PA66
Dimension (Lx W x H)	144mm X 90mm X 64mm
Weight (approx.)	0.4KG
Installation method	35mm DIN rail mounting
Operating temperature	-5°C-45°C
Storage temperature	-20°C-70°C
Relative humidity	max 90%

3 Dimensional drawing and wiring diagrams

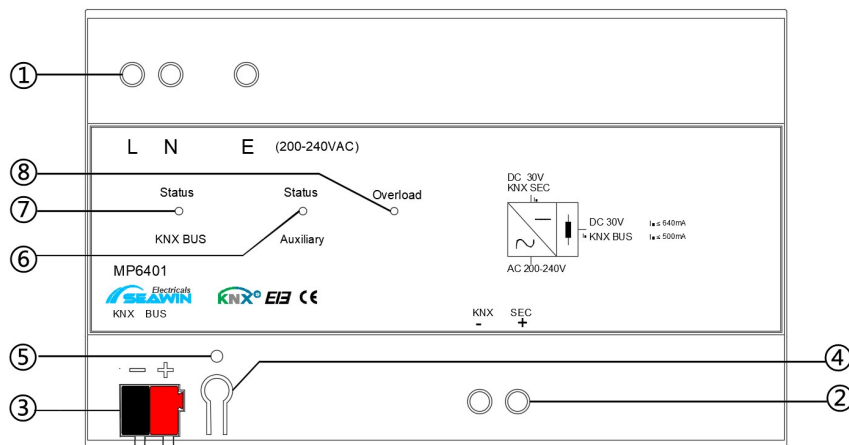
Dimensional drawing



wiring diagram



4 Product Operating Instructions



- ①Description: 200~240VAC power supply wiring port, the aperture can be connected to $\phi 4$ wire;
- ②Description: Auxiliary power supply 30V DC output wiring port, the aperture can be connected to $\phi 4$ wire;
- ③Description: KNX bus power supply output port, KNX bus access, red line connected to "+", black line connected to "-";
- ④Description: Reset indicator light, the indicator light is red when the reset operation is performed, when the KNX bus is short-circuited, the indicator light flashes red, and the indicator light is off when the device is in normal state;
- ⑤Description: Reset button, press it shortly, the power supply is in a power-off state, and it will automatically resume normal power supply after 24s;
- ⑥Description: Status (Auxiliary): Auxiliary power supply output status indicator, yellow-green status LED, when the status LED is always on, it means that the auxiliary power supply is normal, and when the status LED flashes, it means that the auxiliary power supply is overloaded;
- ⑦Description: Status (KNX BUS): KNX bus status indicator;
- ⑧Explanation: Overload: When the KNX bus output exceeds the rated current of 640mA, the LED indicator is always on in red; when the KNX bus output current exceeds 900mA, the bus output is automatically cut off and the LED indicator flashes red, and it can be restored by pressing the reset button.

5 Power running test

After the bus power is properly installed, turn on the main power and supply power to the bus. At this time, the status (KNX BUS) and Status (Auxiliary) indicators on the device are on, and the other lights are off, indicating that the bus power can operate normally.

6 Safe use and maintenance

- (1) Read all instructions carefully before use.
- (2) Create a good ventilation environment.
- (3) During use, pay attention to moisture, shock and dust.
- (4) Strictly forbid to rain, contact with other liquids or corrosive gases.
- (5) If it is wet or attacked by liquid, it should be dried in time.
- (6) When the machine fails, please contact professional maintenance personnel or our company.

7 Contact

Address: 9th Floor, Building 5, Aotelang Science and Technology Park, No. 68, Nanxiang 1st Road, Huangpu District, Guangzhou City, Guangdong Province, China

Tel: +86-20-82189121

Fax: +86-20-82189121

Website: <http://www.seawin-knx.com>